

4

3

2

1

D

D

C

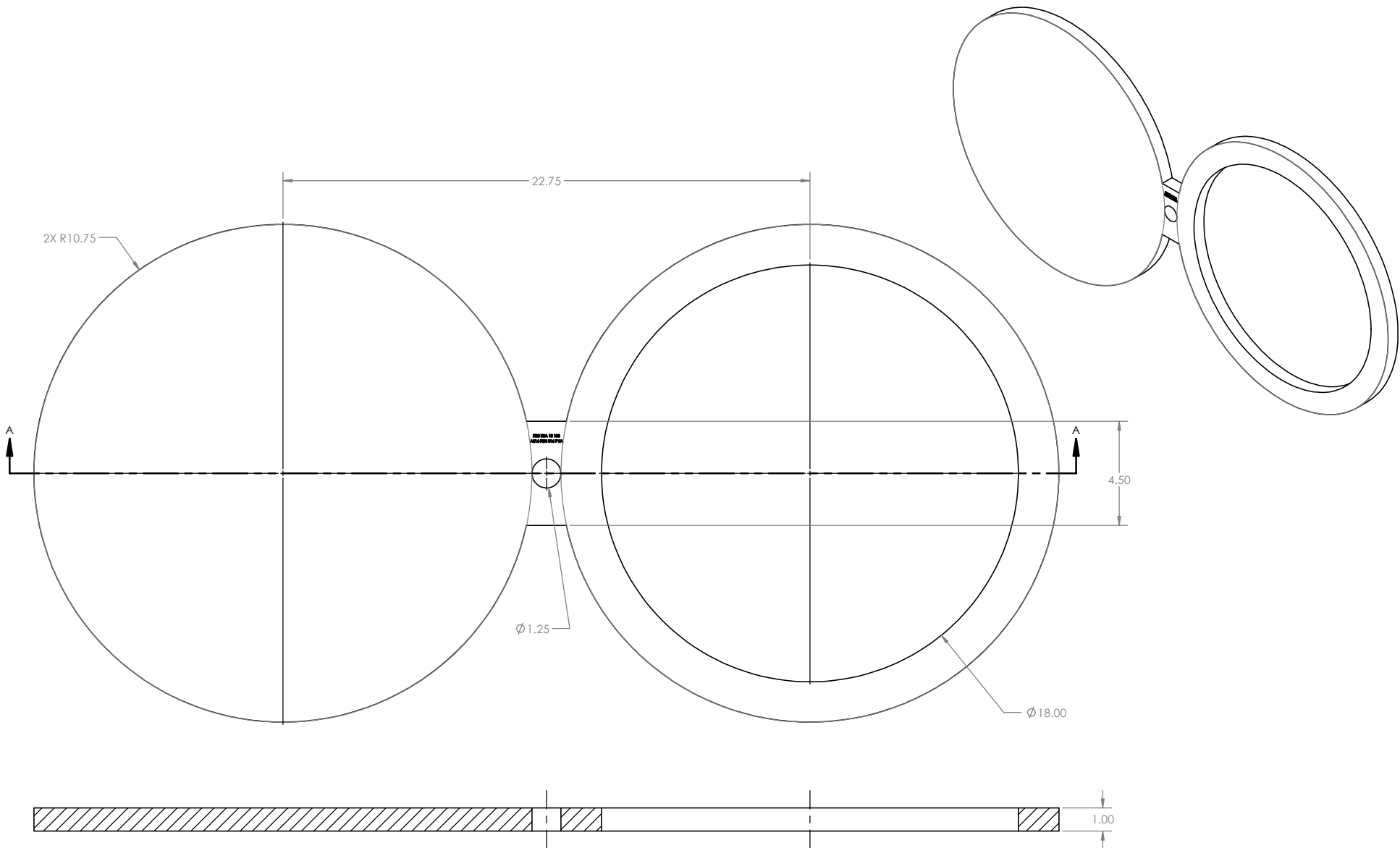
C


B

B

A

A



DO NOT SCALE PRINT		UNLESS OTHERWISE SPECIFIED:		HYDROBLIND -ISOLUTIONS
 THIRD ANGLE PROJECTION		OUTSIDE DIAMETER: (+/-0.12) INSIDE DIAMETER: (+/-0.12) THICKNESS TOLERANCES (-ZERO +0.12) ALL UNITS IN INCHES OR POUNDS		
MATERIAL: CUSTOMER REQUESTED		SHEET 1 OF 1		SURFACE FINISH: MACHINE OR MILL
DATE: 06/24/2020	DIMENSIONS & TOLERANCES TO BE IN ACCORDANCE WITH ASME B16.48	WEIGHT 134 lb	DRAWING TITLE:	
SCALE 1:3	SIZE C	DRAWING NUMBER: 1SBW	REV 00	18 CL 150 FIGURE 8 BLIND

4

3

2

1